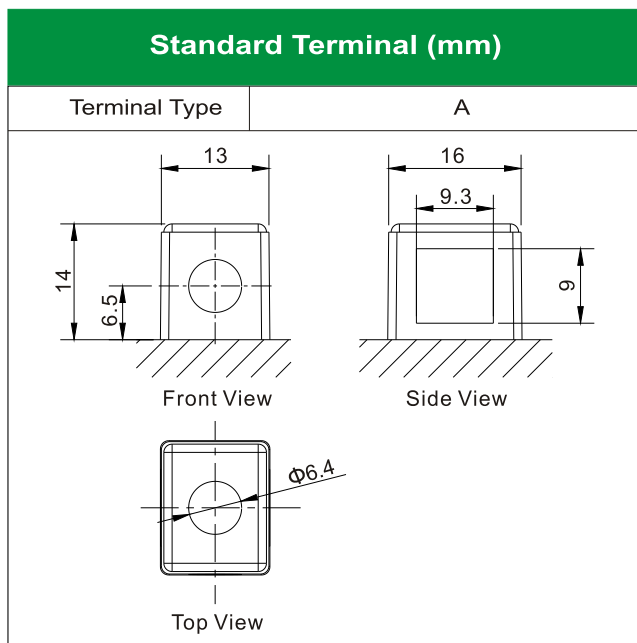
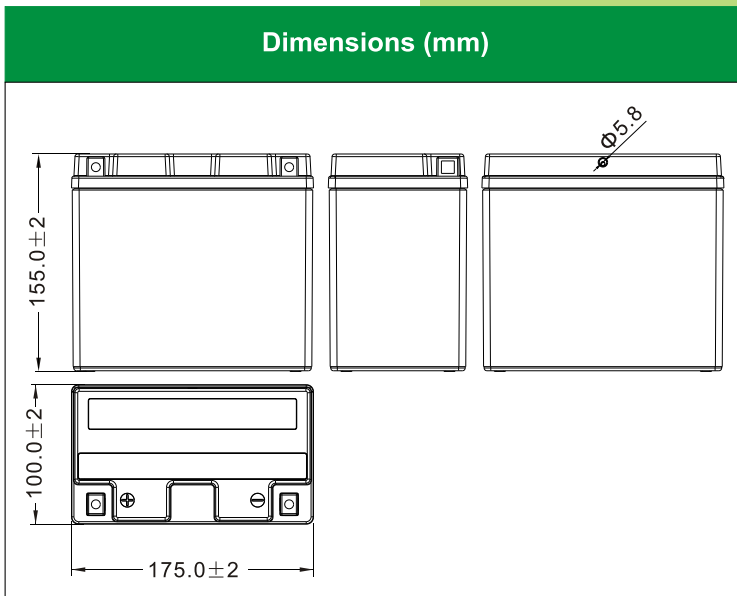




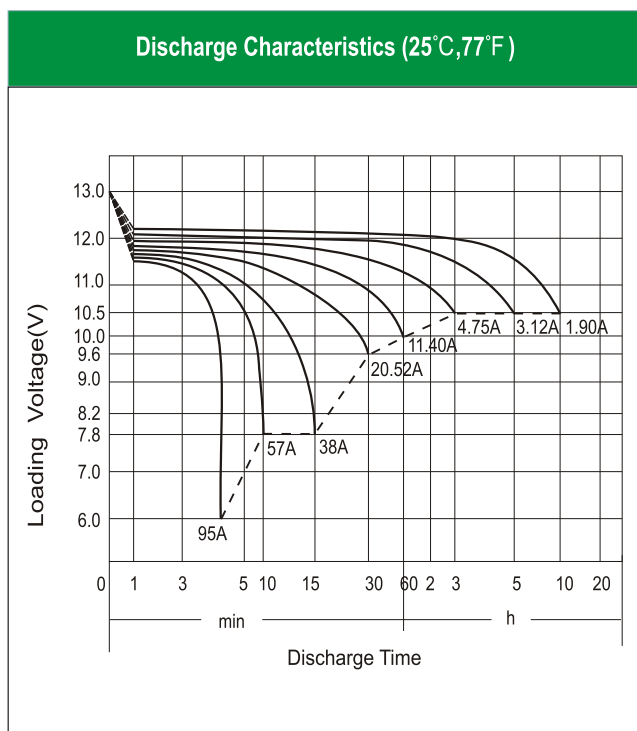
LEOCH BATTERY EB16B-4-1 (12V19Ah)



Physical Specification

| | | |
|-------------------------|--|-----------------------|
| Nominal Voltage | 12V | |
| Nominal Capacity (10HR) | 19Ah | |
| Dimension | Length | 175±2mm (6.89 inches) |
| | Width | 100±2mm (3.94 inches) |
| | Container Height | 155±2mm (6.10 inches) |
| | Total Height (with Terminal) | 155±2mm (6.10 inches) |
| Weight | Battery(with acid): Approx 6.30kg (13.89lbs) | |
| | Electrolyte: Approx 1.30kg (2.86lbs) | |

- * Sealed and non-spillable AGM battery
- * Maintenance-free
- * Powerful 220 cold cranking amps
- * Shipped pre-charged and ready to install
- * Replaces EB16B-BS battery



Electrical Specification

| | | |
|----------------------------------|-------------------------|---|
| Rated Capacity | 10 hour rate (1.90 A) | 19.00Ah |
| | 5 hour rate (3.12 A) | 15.58Ah |
| | 2 hour rate (6.65 A) | 13.30Ah |
| | 1 hour rate (11.40 A) | 11.40Ah |
| | 0.5 hour rate (20.52 A) | 10.26Ah |
| Capacity affected by Temperature | 40 °C (104 °F) | 106% |
| | 25 °C (77 °F) | 100% |
| | 0 °C (32 °F) | 86% |
| | -15 °C (5 °F) | 65% |
| Charging Methods | Full Charge | Constant-Voltage Charge: Initial charging current: less than 5.7A Voltage: 14.40 V ~ 15.00 V at 25 °C (77 °F) Charging time: 15 ~18h Constant-Current Charge: Charging current: 0.1C ₁₀ =1.90A, when charging voltage up to 14.40V, continue to charge 4h |
| | Floating Charge | No limit on Initial charging current Voltage: 13.50 V ~ 13.80 V at 25 °C (77 °F) |