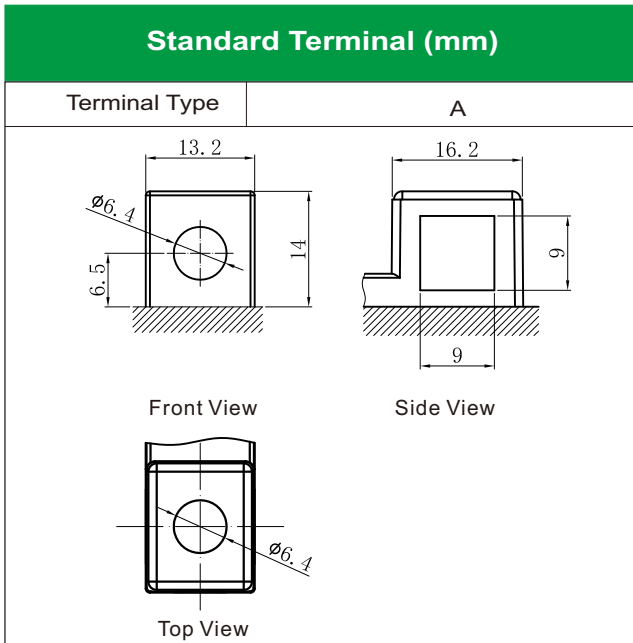
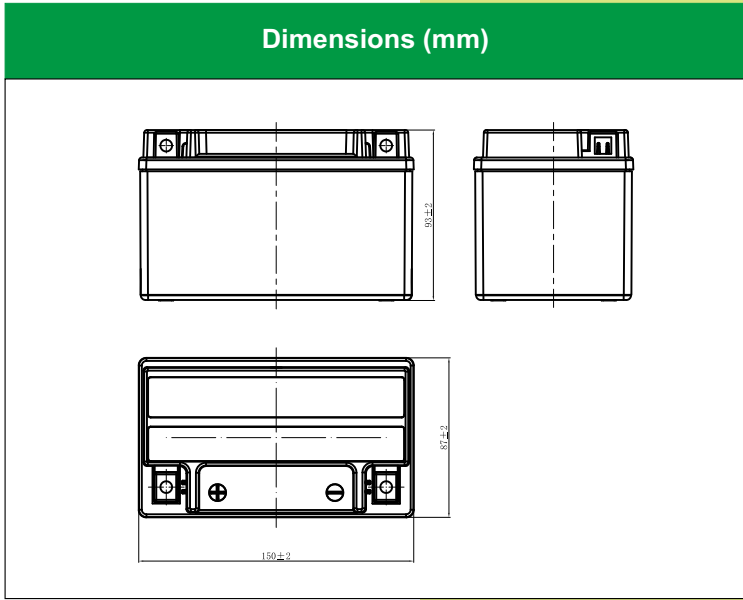
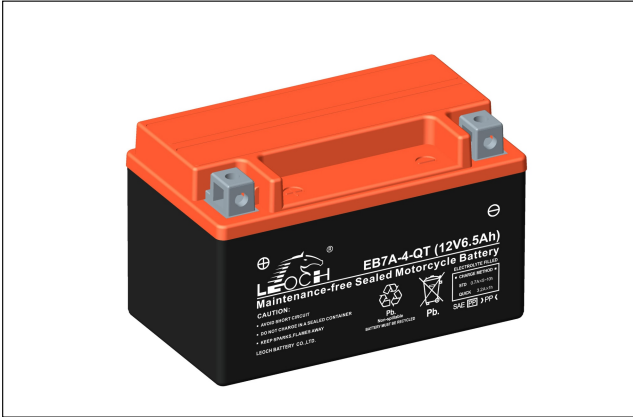




LEOCH BATTERY

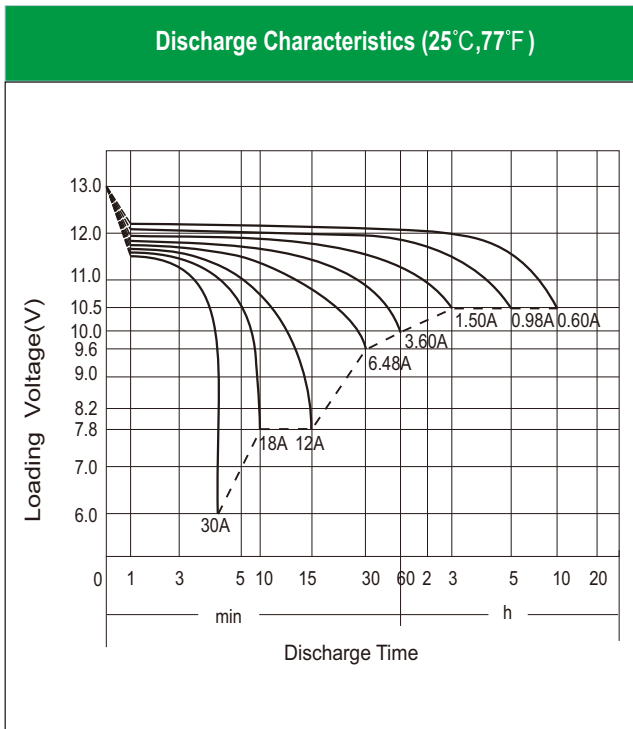
EB7A-4-QT (12V6.5Ah)



Physical Specification

Nominal Voltage	12V	
Nominal Capacity (20HR)	6.5Ah	
Dimension	Length	150±2mm (5.91 inches)
	Width	87±2mm (3.43 inches)
	Container Height	93±2mm (3.66 inches)
	Total Height (with Terminal)	93±2mm (3.66 inches)
Weight	Battery(with acid): Approx 2.52kg (5.56lbs)	
	Electrolyte: Approx 0.456kg (1.01lbs)	

- * Start-Stop Battery
- * Sealed and non-spillable AGM battery
- * Maintenance-free
- * Powerful 110 cold cranking amps
- * Shipped pre-charged and ready to install



Electrical Specification

Rated Capacity	20 hour rate (0.33 A)	6.50Ah
	10 hour rate (0.60 A)	6.00Ah
	5 hour rate (0.98 A)	4.92Ah
	2 hour rate (2.10 A)	4.20Ah
	1 hour rate (3.60 A)	3.60Ah
	0.5 hour rate (6.48 A)	3.24Ah
Capacity affected by Temperature	40 °C (104 °F)	106%
	25 °C (77 °F)	100%
	0 °C (32 °F)	86%
	-15 °C (5 °F)	65%
Charging Methods	Full Charge	Constant-Voltage Charge: Initial charging current: less than 1.8A Voltage: 14.40 V ~ 15.00 V at 25 °C (77 °F) Charging time: 15 ~18h Constant-Current Charge: Charging current: 0.1C ₁₀ =0.60A, when charging voltage up to 14.40V, continue to charge 4h
	Floating Charge	No limit on Initial charging current Voltage: 13.50 V ~ 13.80 V at 25 °C (77 °F)