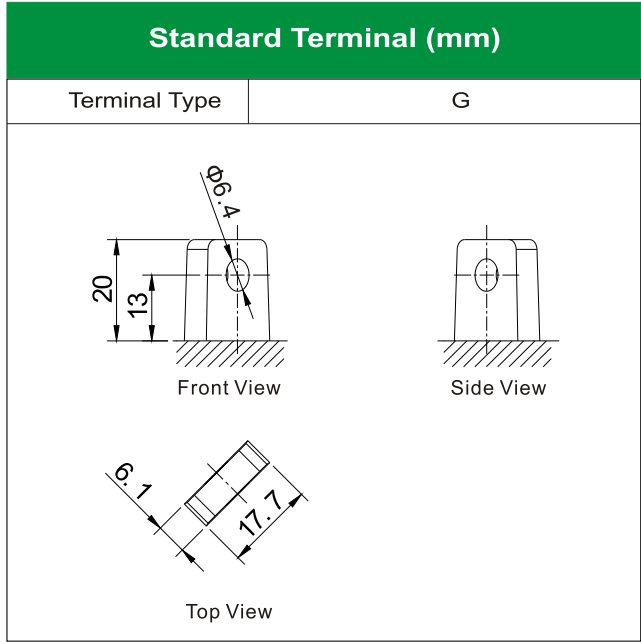
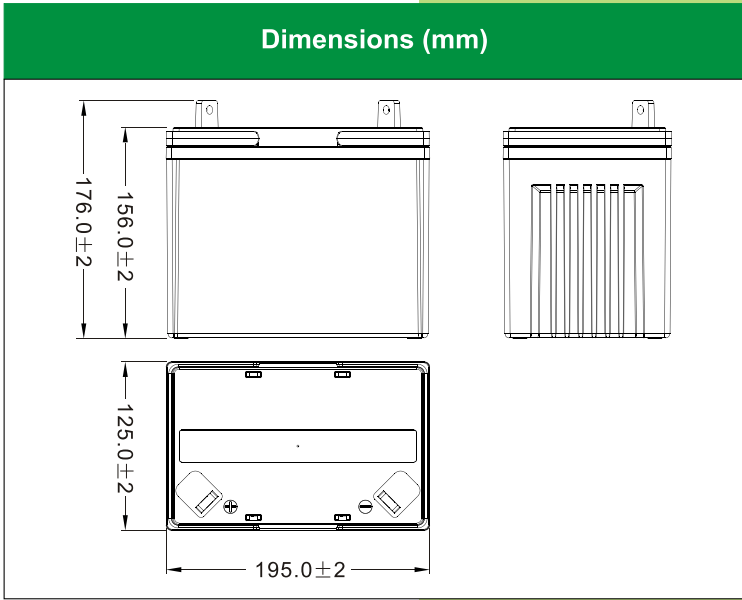




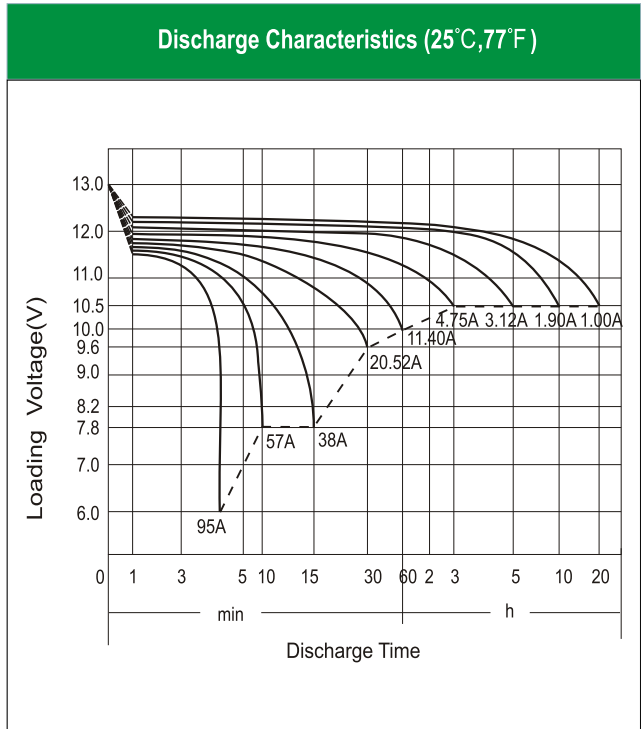
# LEOCH BATTERY EBU1-4-1 (12V20Ah)



### Physical Specification

Nominal Voltage		12V
Nominal Capacity (20HR)		20Ah
Dimension	Length	195 ± 2mm (7.68 inches)
	Width	125 ± 2mm (4.92 inches)
	Container Height	156 ± 2mm (6.14 inches)
	Total Height (with Terminal)	176 ± 2mm (6.93 inches)
Weight	Battery(with acid): Approx 6.40kg (14.11lbs) Electrolyte: Approx 1.43kg (3.15lbs)	

- \* Sealed and non-spillable AGM battery
- \* Maintenance-free
- \* Powerful 250 cold cranking amps
- \* Shipped pre-charged and ready to install
- \* Replaces none battery



### Electrical Specification

Rated Capacity	20 hour rate (1.00 A)	20.00Ah	
	10 hour rate (1.90 A)	19.00Ah	
Capacity affected by Temperature	5 hour rate (3.12 A)	15.58Ah	
	2 hour rate (6.65 A)	13.30Ah	
	1 hour rate (11.40 A)	11.40Ah	
	0.5 hour rate (20.52 A)	10.26Ah	
	40 °C (104 °F)	106%	
Charging Methods	Full Charge	25 °C (77 °F)	100%
		0 °C (32 °F)	86%
	Floating Charge	-15 °C (5 °F)	65%
		Constant-Voltage Charge: Initial charging current: less than 5.7A Voltage: 14.40 V ~ 15.00 V at 25 °C (77 °F) Charging time: 15 ~18h Constant-Current Charge: Charging current: 0.1C <sub>10</sub> =1.90A, when charging voltage up to 14.40V, continue to charge 4h	