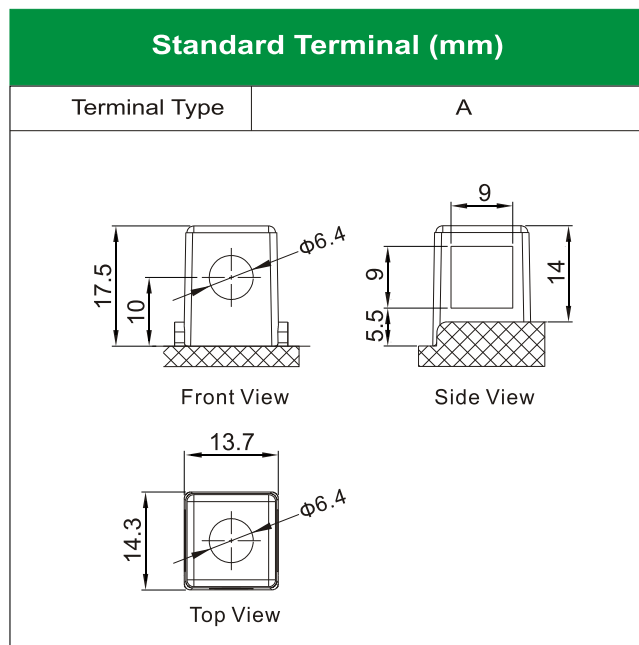
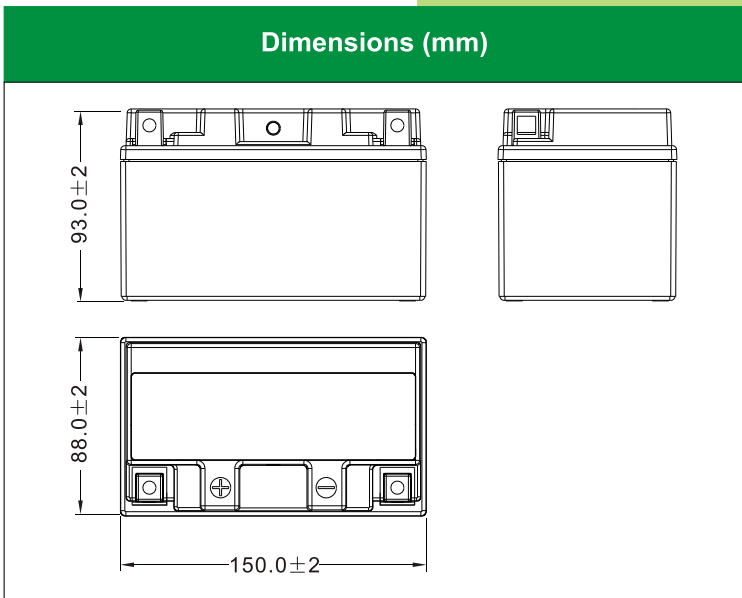




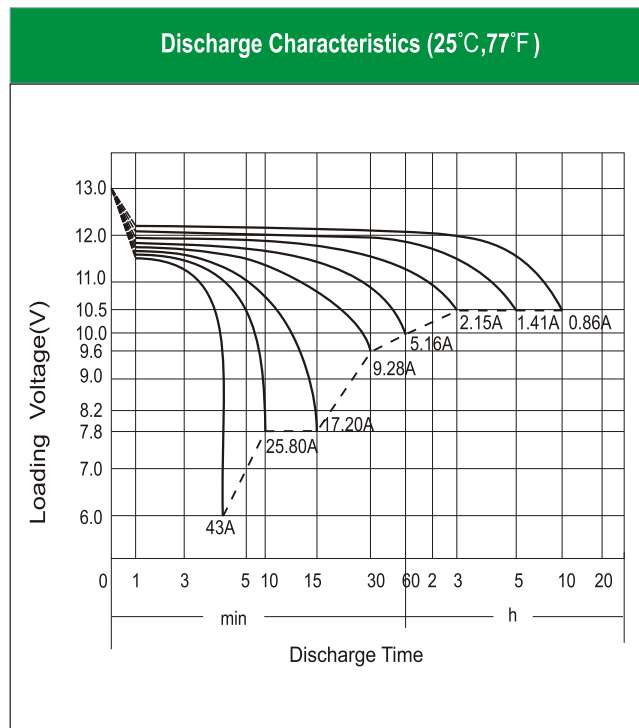
LEOCH BATTERY

EBZ10-4-1(J) [12V8.6Ah]



Physical Specification

Nominal Voltage	12V	
Nominal Capacity (10HR)	8.6Ah	
Dimension	Length	150 ± 2mm (5.91 inches)
	Width	88 ± 2mm (3.46 inches)
	Container Height	93 ± 2mm (3.66 inches)
	Total Height (with Terminal)	93 ± 2mm (3.66 inches)
Weight	Battery(with acid): Approx 2.95kg (6.50lbs)	
	Electrolyte: Approx 0.56kg (1.23lbs)	
<ul style="list-style-type: none"> * Sealed and non-spillable AGM battery * Maintenance-free * Powerful 130 cold cranking amps * Shipped pre-charged and ready to install * Replaces none battery 		



Electrical Specification

Rated Capacity	10 hour rate (0.86 A)	8.60Ah
	5 hour rate (1.41 A)	7.05Ah
	2 hour rate (3.01 A)	6.02Ah
	1 hour rate (5.16 A)	5.16Ah
	0.5 hour rate (9.28 A)	4.64Ah
	Capacity affected by Temperature	40 °C (104 °F)
25 °C (77 °F)		100%
0 °C (32 °F)		86%
-15 °C (5 °F)		65%
Charging Methods	Full Charge	Constant-Voltage Charge: Initial charging current: less than 2.58A Voltage: 14.40 V ~ 15.00 V at 25 °C (77 °F) Charging time: 15 ~18h Constant-Current Charge: Charging current: 0.1C ₁₀ =0.86A, when charging voltage up to 14.40V, continue to charge 4h
	Floating Charge	No limit on Initial charging current Voltage: 13.50 V ~ 13.80 V at 25 °C (77 °F)