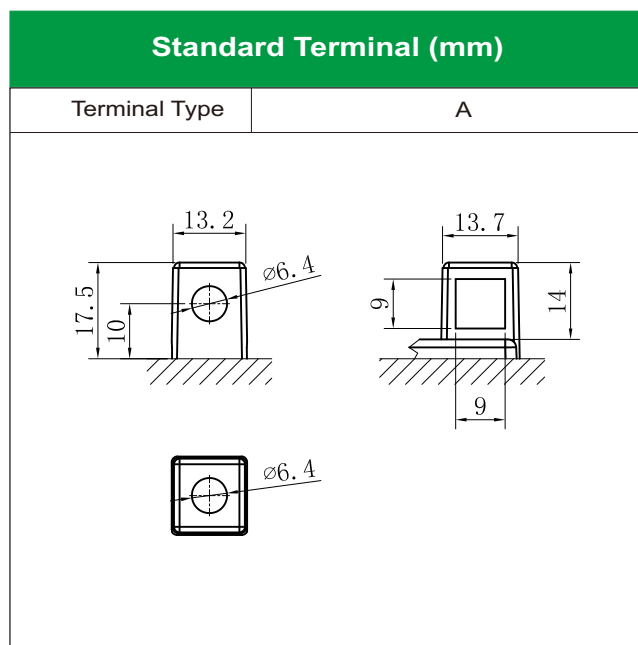
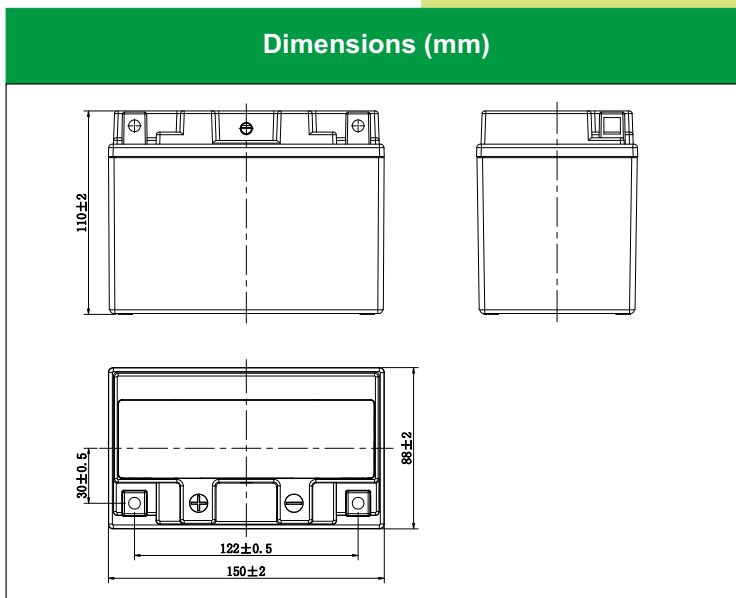
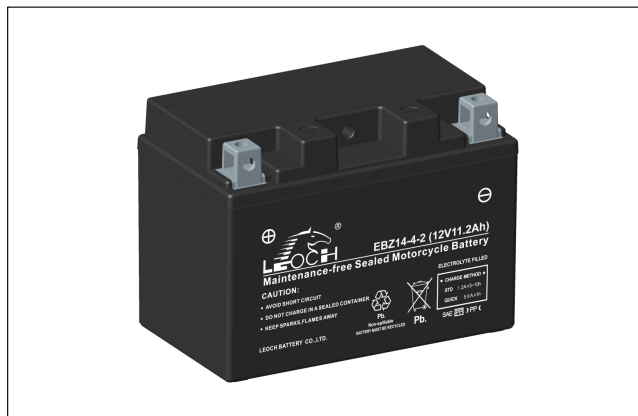
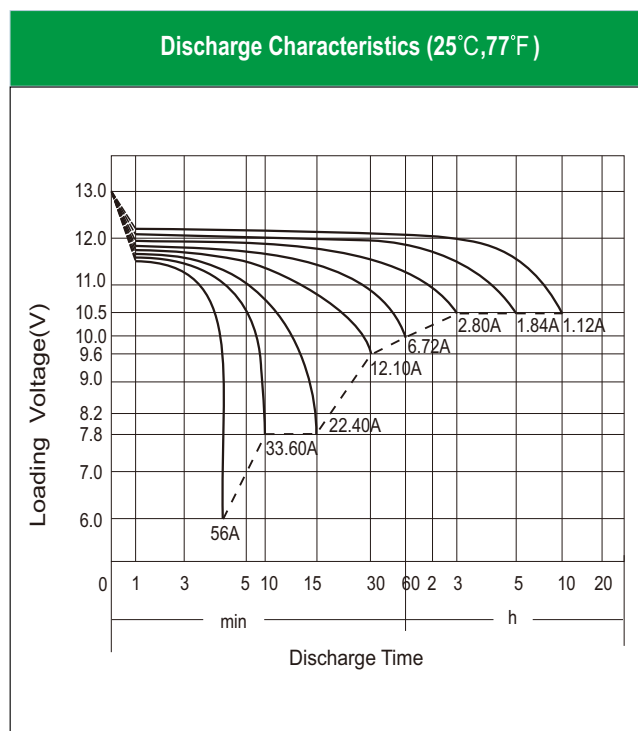


# EBZ14-4-2 [12V11.2Ah]



### Physical Specification

|  |  |                       |
|--|--|-----------------------|
| Nominal Voltage  |  | 12V                   |
| Nominal Capacity (10HR)  |  | 11.2Ah                |
| Dimension  | Length                                       | 150±2mm (5.91 inches) |
|  | Width  | 88±2mm (3.46 inches)  |
|  | Container Height                             | 110±2mm (4.33 inches) |
|  | Total Height (with Terminal)                 | 110±2mm (4.33 inches) |
| Weight   | Battery(with acid): Approx 3.82kg (8.42 lbs) |                       |
| <ul style="list-style-type: none"> <li>* Sealed and non-spillable AGM battery</li> <li>* Maintenance-free</li> <li>* Powerful 230 cold cranking amps</li> <li>* Shipped pre-charged and ready to install</li> <li>* Replaces none battery</li> </ul> |  |                       |



### Electrical Specification

|                                  |                         |  |
|----------------------------------|-------------------------|--|
| Rated Capacity                   | 10 hour rate (1.12 A)   | 11.20Ah  |
|                                  | 5 hour rate ( 1.84 A)   | 9.18Ah   |
|                                  | 2 hour rate (3.92 A)    | 7.84Ah   |
|                                  | 1 hour rate (6.72 A)    | 6.72Ah   |
|                                  | 0.5 hour rate (12.10 A) | 6.05Ah   |
| Capacity affected by Temperature | 40 °C (104 °F)          | 106%   |
|                                  | 25 °C (77 °F)           | 100%   |
|                                  | 0 °C (32 °F)            | 86%  |
|                                  | -15 °C (5 °F)           | 65%  |
| Charging Methods                 | Full Charge             | Constant-Voltage Charge:<br>Initial charging current: less than 3.36A<br>Voltage: 14.40 V ~ 15.00 V at 25 °C (77 °F)<br>Charging time: 15 ~18h<br>Constant-Current Charge:<br>Charging current: 0.1C <sub>10</sub> =1.12A, when charging voltage up to 14.40V, continue to charge 4h |
|                                  | Floating Charge         | No limit on Initial charging current<br>Voltage: 13.50 V ~ 13.80 V at 25 °C (77 °F)  |