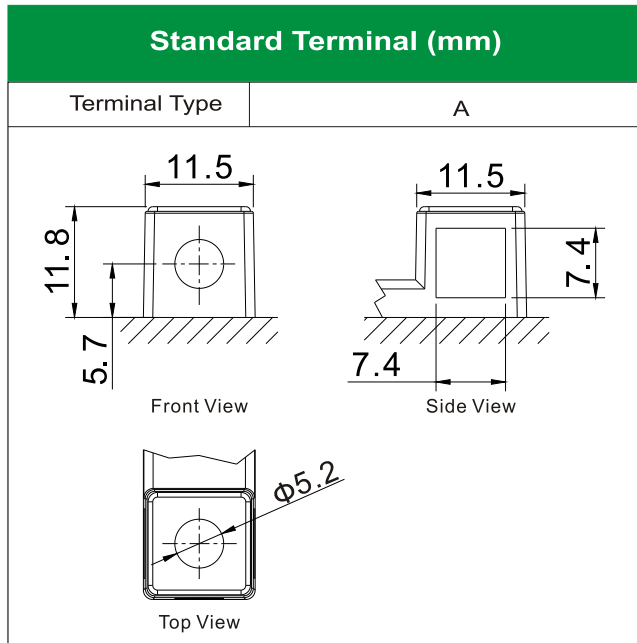
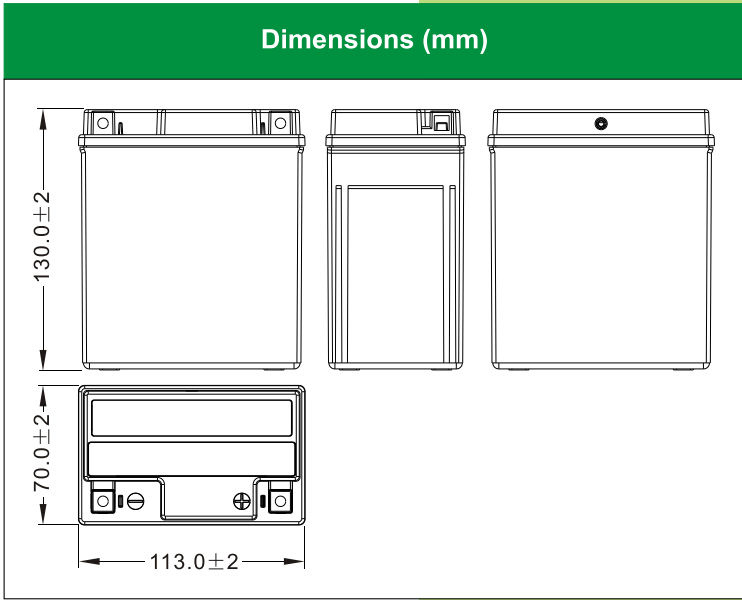




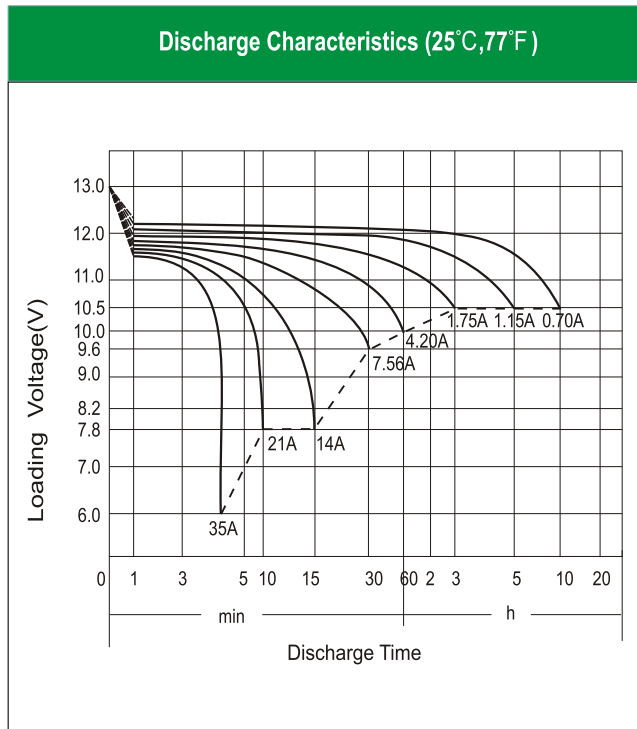
**LEOCH BATTERY**  
**EBZ8-3 [12V7Ah]**



**Physical Specification**

Nominal Voltage	12V	
Nominal Capacity (10HR)	7Ah	
Dimension	Length	113±2mm (4.45 inches)
	Width	70±2mm (2.76 inches)
	Container Height	130±2mm (5.12 inches)
	Total Height (with Terminal)	130±2mm (5.12 inches)
Weight	Battery(with acid): Approx 2.35kg (5.18lbs)	
	Electrolyte: Approx 0.46kg (1.01lbs)	

- \* Sealed and non-spillable AGM battery
- \* Maintenance-free
- \* Powerful 100 cold cranking amps
- \* Shipped pre-charged and ready to install
- \* Replaces none battery



**Electrical Specification**

Rated Capacity	10 hour rate (0.70 A)	7.00Ah
	5 hour rate (1.15 A)	5.74Ah
	2 hour rate (2.45 A)	4.90Ah
	1 hour rate (4.20 A)	4.20Ah
	0.5 hour rate (7.56 A)	3.78Ah
Capacity affected by Temperature	40 °C (104 °F)	106%
	25 °C (77 °F)	100%
	0 °C (32 °F)	86%
	-15 °C (5 °F)	65%
Charging Methods	Full Charge	Constant-Voltage Charge: Initial charging current: less than 2.1A Voltage: 14.40 V ~ 15.00 V at 25 °C (77 °F) Charging time: 15 ~18h Constant-Current Charge: Charging current: 0.1C <sub>10</sub> =0.70A, when charging voltage up to 14.40V, continue to charge 4h
	Floating Charge	No limit on Initial charging current Voltage: 13.50 V ~ 13.80 V at 25 °C (77 °F)