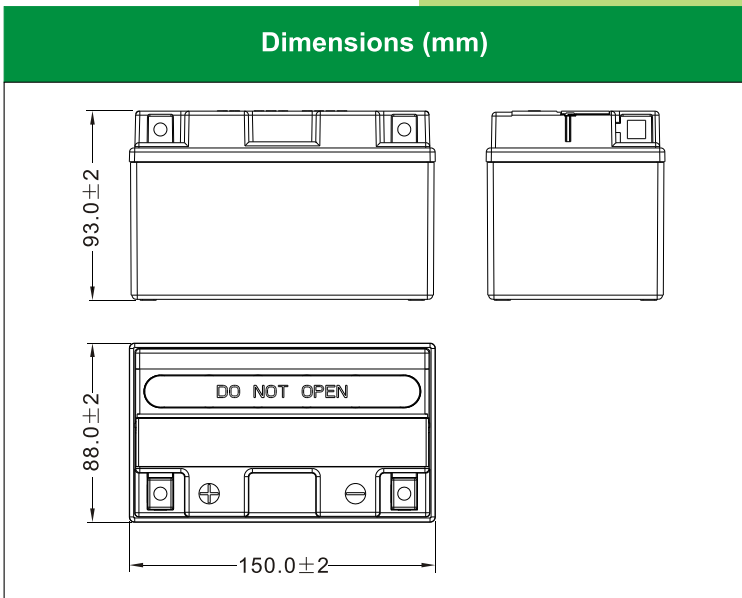


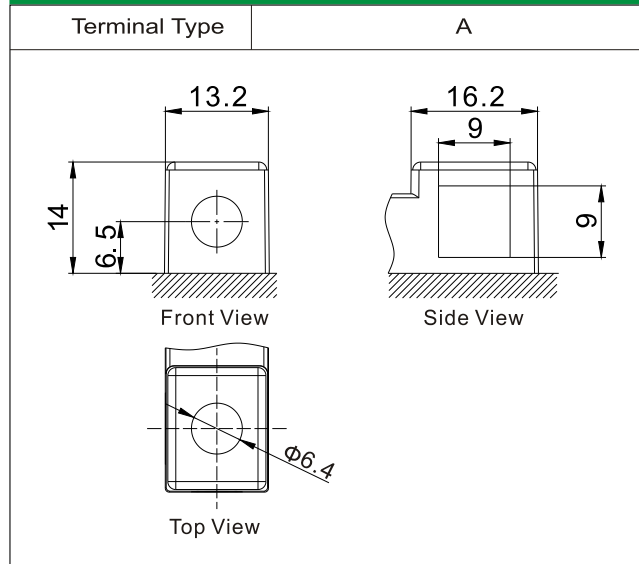


LEOCH BATTERY

# EBZ10-BS [12V8.6Ah]



### Standard Terminal (mm)

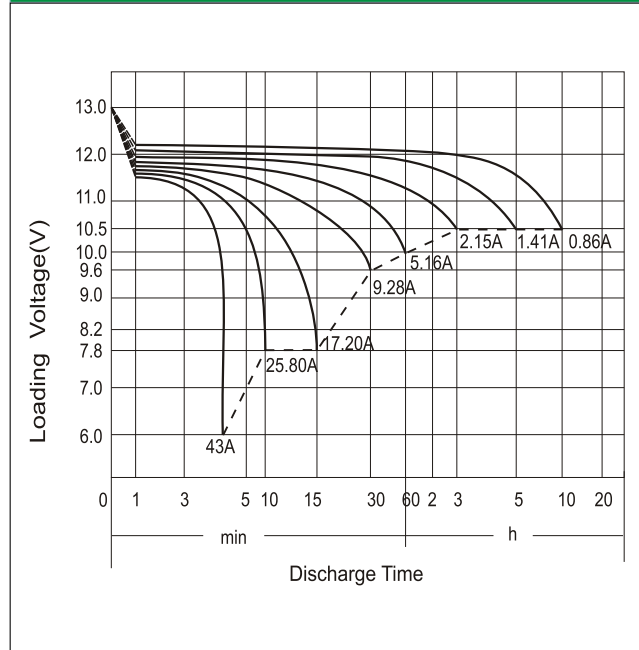


### Physical Specification

Nominal Voltage	12V	
Nominal Capacity (10HR)	8.6Ah	
Dimension	Length	150 ± 2mm (5.91 inches)
	Width	88 ± 2mm (3.46 inches)
	Container Height	93 ± 2mm (3.66 inches)
	Total Height (with Terminal)	93 ± 2mm (3.66 inches)
Weight	Battery(with acid):	Approx 3.11kg (6.86lbs)
	Electrolyte:	Approx 0.51kg (1.12lbs)

- \* Sealed AGM battery
- \* Fresh Pack, Maintenance Free
- \* Powerful 160 cold cranking amps
- \* Rest after filling acid
- \* Maximum tilt angle for installation: 25°

### Discharge Characteristics (25°C, 77°F)



### Electrical Specification

Rated Capacity	10 hour rate (0.86 A)	8.6Ah
	5 hour rate ( 1.41 A)	7.05Ah
	2 hour rate (3.01 A)	6.02Ah
	1 hour rate (5.16 A)	5.16Ah
	0.5 hour rate (9.28 A)	4.64Ah
Capacity affected by Temperature	40 °C ( 104 °F)	106%
	25 °C ( 77 °F)	100%
	0 °C ( 32 °F)	86%
	-15 °C ( 5 °F)	65%
Charging Methods	Full Charge	Constant-Voltage Charge: Initial charging current: less than 2.58A Voltage: 14.40 V ~ 15.00 V at 25 °C ( 77 °F) Charging time: 15 ~18h Constant-Current Charge: Charging current: 0.1C <sub>10</sub> =0.86A, when charging voltage up to 14.40V, continue to charge 4h
	Floating Charge	No limit on Initial charging current Voltage: 13.50 V ~ 13.80 V at 25 °C ( 77 °F)