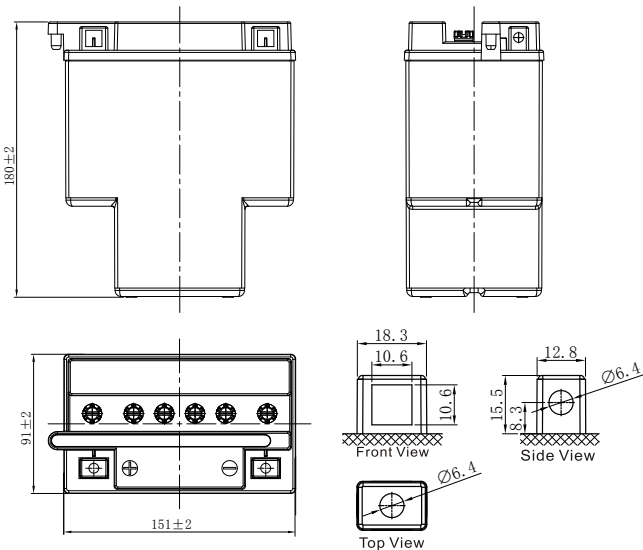
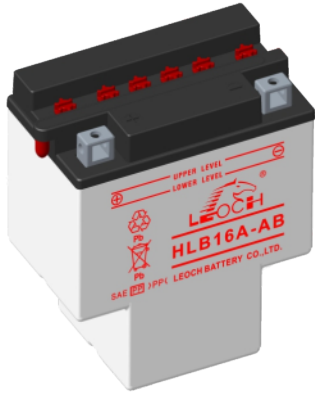


CONVENTIONAL FLOODED MOTORCYCLE BATTERY

HLB16A-AB (12V15Ah)



GENERAL FEATURES

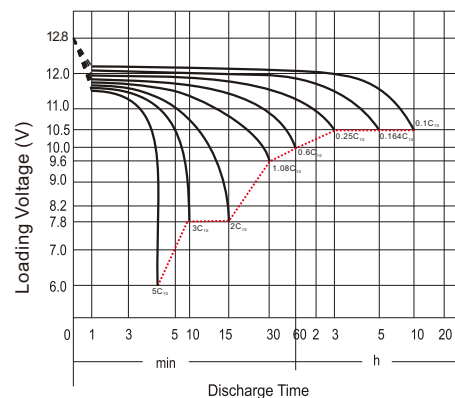
- Low maintenance
- High performance and dry charged high quality and flooded battery
- Shipped without battery electrolyte pre-charged and ready to install

*Values are subject to variation of +/- 5% in normal manufacturing processes.

CHARACTERISTICS

| Item | Specifications | |
|--|---|------------------------------|
| Nominal Voltage | 12V | |
| Nominal Capacity (10HR) | 15Ah | |
| Cold Cranking Performance Amps@0°F (-18°C) | 150A | |
| Dimension (±2mm) | Length | 151mm (5.94inches) |
| | Width | 91mm (3.58inches) |
| | Container Height | 180mm (7.09inches) |
| | Total Height | 180mm (7.09inches) |
| Battery (with acid) | Approx Weight | 5.09kg (11.2lbs) |
| Electrolyte | Approx Weight | 1.24kg (2.73lbs) |
| Terminal type | C | |
| Battery type | Conventional Flooded (High Performance) Series | |
| Constant-Voltage Charge: | | |
| Full Charge | Initial charging current | Less than 0.3C ₁₀ |
| | Voltage | 14.40V~15.00V at 25°C (77°F) |
| | Charging time | 16~24h |
| | Constant-Current Charge: | |
| Floating Charge | Charging current 0.1C ₁₀ , when charging voltage up to 15.60V, continue to charge 2h | |
| | Initial charging current | Unlimited |
| | Voltage | 13.50V~13.80V at 25°C (77°F) |
| | Capacity affected by Temperature | |
| 40°C (104°F) | | 106% |
| 25°C (77°F) | | 100% |
| 0°C (32°F) | | 86% |
| -15°C (5°F) | | 65% |

Discharge Characteristics (25°C, 77°F)



Leoch International Technology Ltd.
www.leoch.com

Leoch Batteries Pte Ltd
www.leoch.sg

Leoch Battery Corporation
www.leochamericas.com

Leoch Europe S.A.
www.leoch.eu