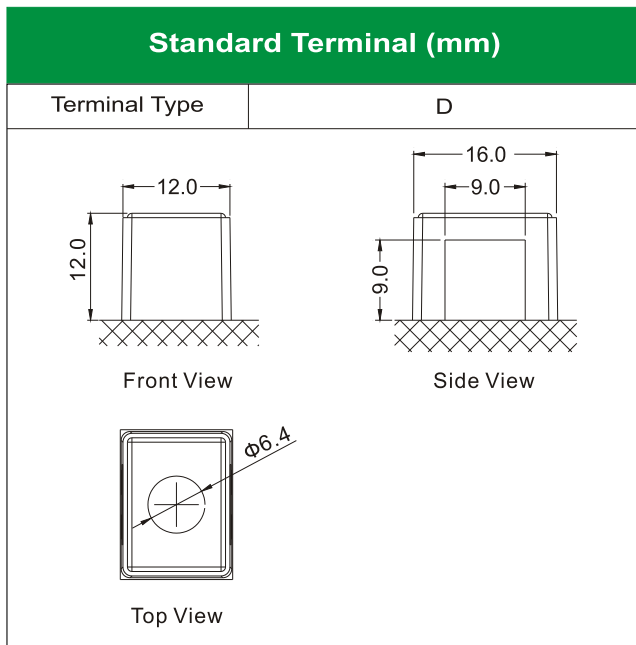
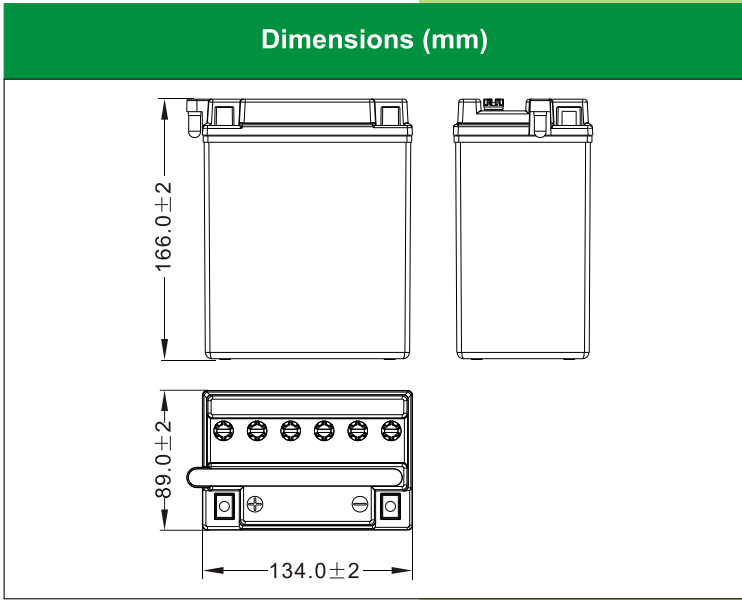
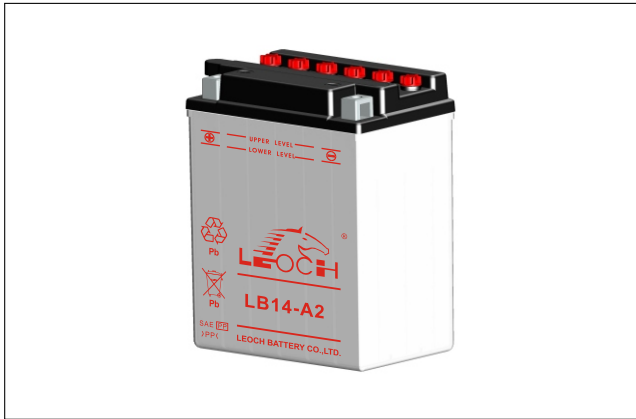




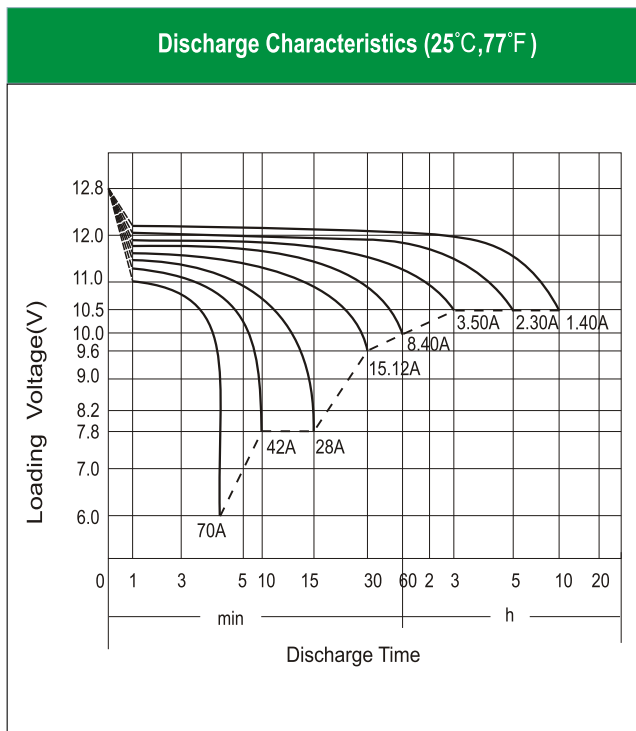
LEOCH BATTERY LB14-A2 [12V14Ah]



Physical Specification

Nominal Voltage	12V	
Nominal Capacity (10HR)	14Ah	
Dimension	Length	134 ± 2mm (5.28 inches)
	Width	89 ± 2mm (3.50 inches)
	Container Height	166 ± 2mm (6.54 inches)
	Total Height (with Terminal)	166 ± 2mm (6.54 inches)
Weight	Battery(with acid): Approx 4.44kg (9.79lbs)	
	Electrolyte: Approx 1.17kg (2.58lbs)	

- * High performance and dry charged high quality and flooded battery
- * Low maintenance
- * Powerful 170 cold cranking amps
- * Shipped without battery electrolyte pre-charged and ready to install
- * Replaces none battery



Electrical Specification

Rated Capacity	10 hour rate (1.40A)	14.00Ah
	5 hour rate (2.30 A)	11.48Ah
	2 hour rate (4.90A)	9.80Ah
	1 hour rate (8.40 A)	8.40Ah
	0.5 hour rate (15.12 A)	7.56Ah
Capacity affected by Temperature	40 °C (104 °F)	106%
	25 °C (77 °F)	100%
	0 °C (32 °F)	86%
	-15 °C (5 °F)	65%
Charging Methods	Full Charge	Constant-Voltage Charge: Initial charging current: less than 4.2A Voltage: 14.40 V ~ 15.00 V at 25 °C (77 °F) Charging time: 16 ~24h Constant-Current Charge: Charging current: 1.4A, when charging voltage up to 15.60V, continue to charge 2h.
	Floating Charge	No limit on Initial charging current Voltage: 13.50 V ~ 13.80 V at 25 °C (77 °F)