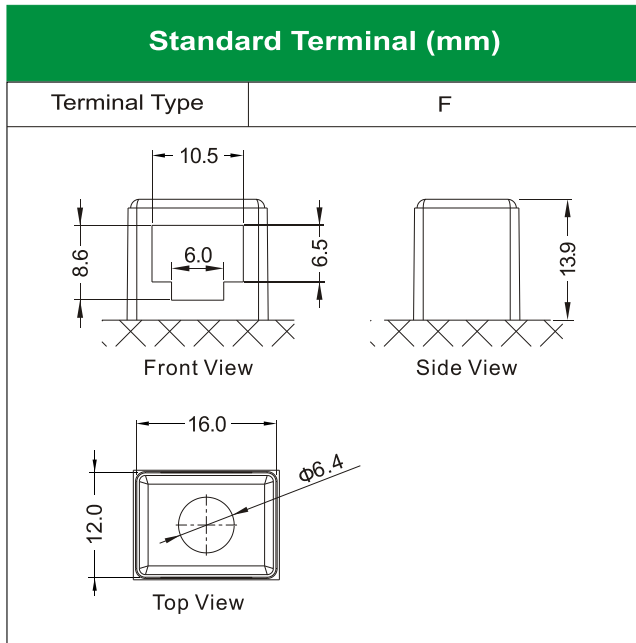
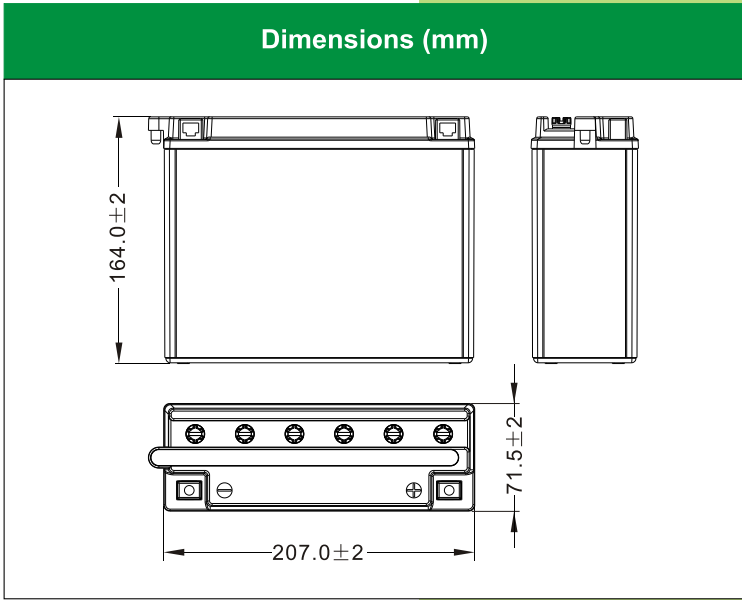


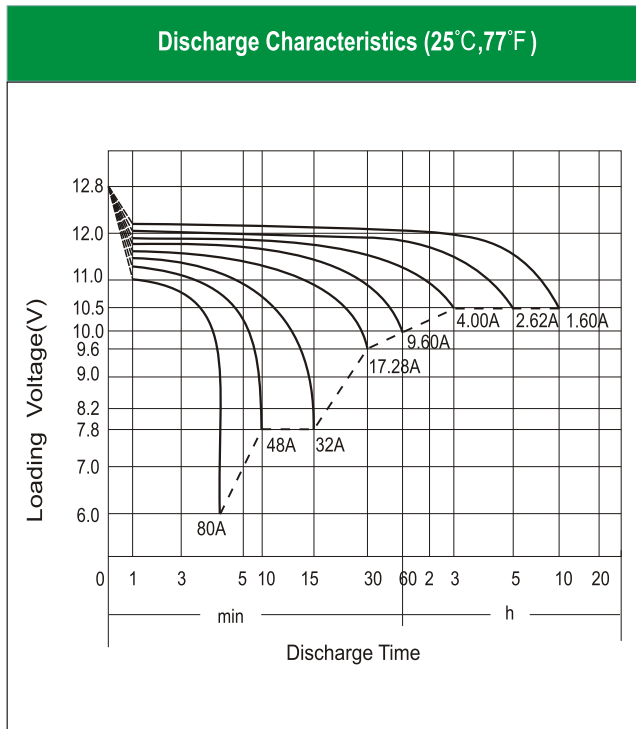


LEOCH BATTERY LB16AL-A2 [12V16Ah]



Physical Specification

| | | |
|--|--|--------------------------|
| Nominal Voltage | 12V | |
| Nominal Capacity (10HR) | 16Ah | |
| Dimension | Length | 207 ± 2mm (8.15 inches) |
| | Width | 71.5 ± 2mm (2.81 inches) |
| | Container Height | 164 ± 2mm (6.46 inches) |
| | Total Height (with Terminal) | 164 ± 2mm (6.46 inches) |
| Weight | Battery(with acid): Approx 5.64kg (12.44lbs) Electrolyte: Approx 1.54kg (3.40lbs) | |
| <ul style="list-style-type: none"> * High performance and dry charged high quality and flooded battery * Low maintenance * Powerful 175 cold cranking amps * Shipped without battery electrolyte pre-charged and ready to install * Replaces none battery | | |



Electrical Specification

| | | |
|----------------------------------|------------------------|---|
| Rated Capacity | 10 hour rate (1.60A) | 16.00Ah |
| | 5 hour rate (2.62 A) | 13.12Ah |
| | 2 hour rate (5.60A) | 11.20Ah |
| | 1 hour rate (9.60 A) | 9.60Ah |
| | 0.5 hour rate (17.28A) | 8.64Ah |
| Capacity affected by Temperature | 40 °C (104 °F) | 106% |
| | 25 °C (77 °F) | 100% |
| | 0 °C (32 °F) | 86% |
| | -15 °C (5 °F) | 65% |
| Charging Methods | Full Charge | Constant-Voltage Charge: Initial charging current: less than 4.8A Voltage: 14.40 V ~ 15.00 V at 25 °C (77 °F) Charging time: 16 ~24h Constant-Current Charge: Charging current: 1.6A, when charging voltage up to 15.60V, continue to charge 2h. |
| | Floating Charge | No limit on Initial charging current Voltage: 13.50 V ~ 13.80 V at 25 °C (77 °F) |