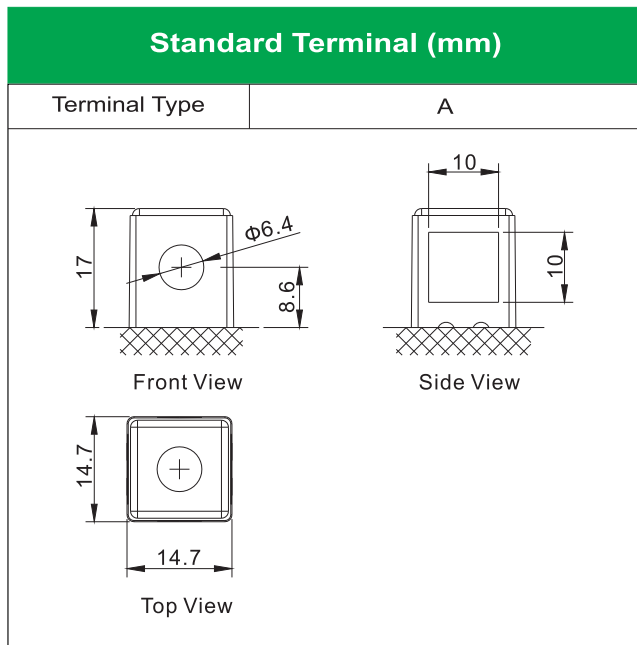
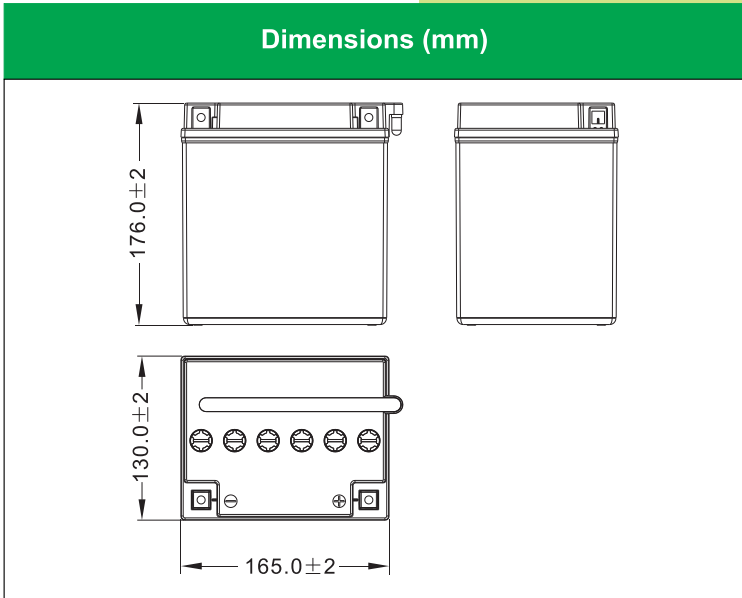
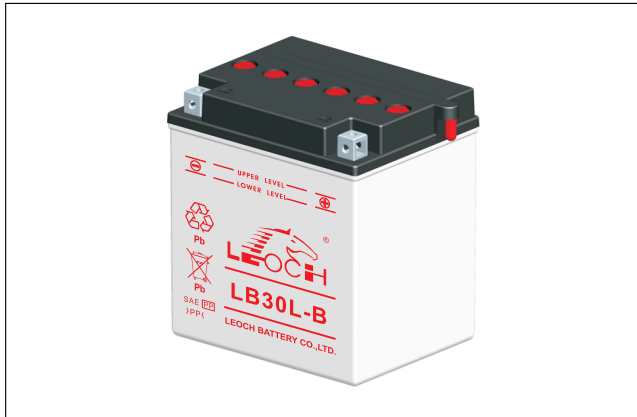




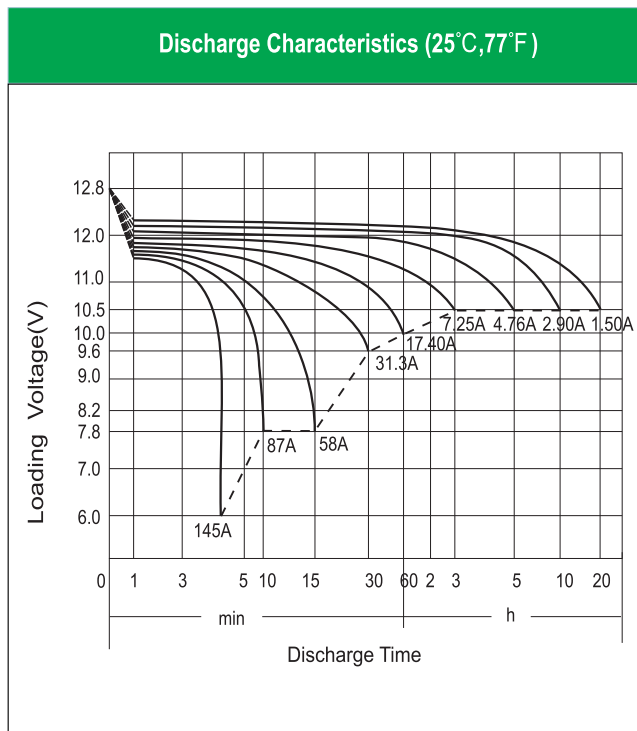
LB30L-B (12V30Ah)



Physical Specification

Nominal Voltage	12V	
Nominal Capacity (20HR)	30Ah	
Dimension	Length	165 ± 2mm (6.50 inches)
	Width	130 ± 2mm (5.12 inches)
	Container Height	176 ± 2mm (6.93 inches)
	Total Height (with Terminal)	176 ± 2mm (6.93 inches)
Weight	Battery(with acid): Approx 8.19kg (18.06lbs)	
	Electrolyte: Approx 2.26kg (4.98lbs)	

- * High performance and dry charged high quality and flooded battery
- * Low maintenance
- * Powerful 300 cold cranking amps
- * Shipped without battery electrolyte pre-charged and ready to install
- * Replaces none battery



Electrical Specification

Rated Capacity	20 hour rate (1.50 A)	30.00Ah
	10 hour rate (2.90 A)	29.00Ah
Capacity affected by Temperature	5 hour rate (4.76 A)	23.78Ah
	2 hour rate (10.15 A)	20.30Ah
	1 hour rate (17.4 A)	17.40Ah
	0.5 hour rate (31.3 A)	15.66Ah
	40 °C (104 °F)	106%
Charging Methods	25 °C (77 °F)	100%
	0 °C (32 °F)	86%
	-15 °C (5 °F)	65%
	Full Charge	Constant-Voltage Charge: Initial charging current: less than 8.7A Voltage: 14.40 V ~ 15.00 V at 25 °C (77 °F) Charging time: 16 ~24h
Constant-Current Charge: Charging current: 2.9A, when charging voltage up to 15.60V, continue to charge 2h.		
Floating Charge	No limit on Initial charging current Voltage: 13.50 V ~ 13.80 V at 25 °C (77 °F)	