

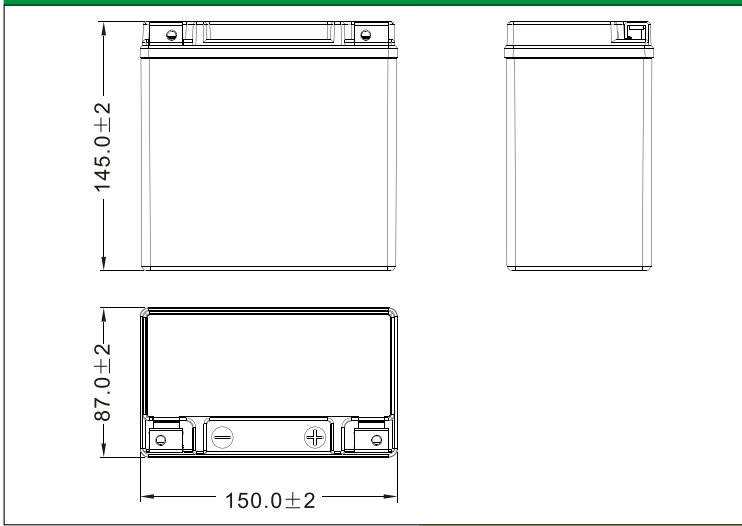


LEOCH BATTERY

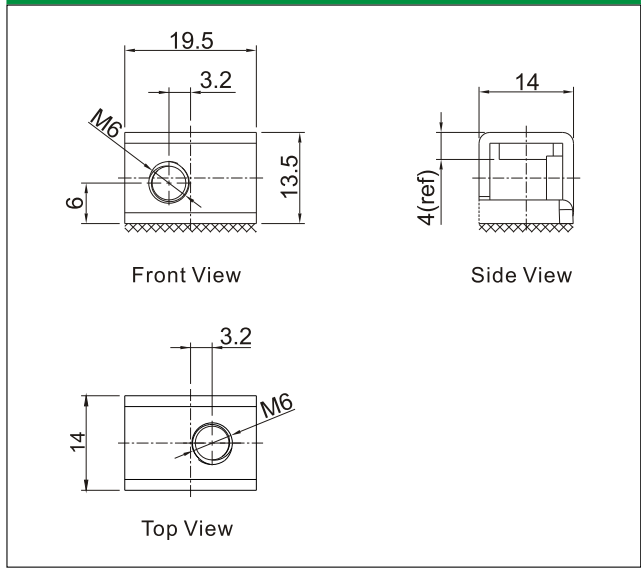
# MX14-3-1 [12V12Ah]



## Dimensions (mm)



## Standard Terminal (mm)

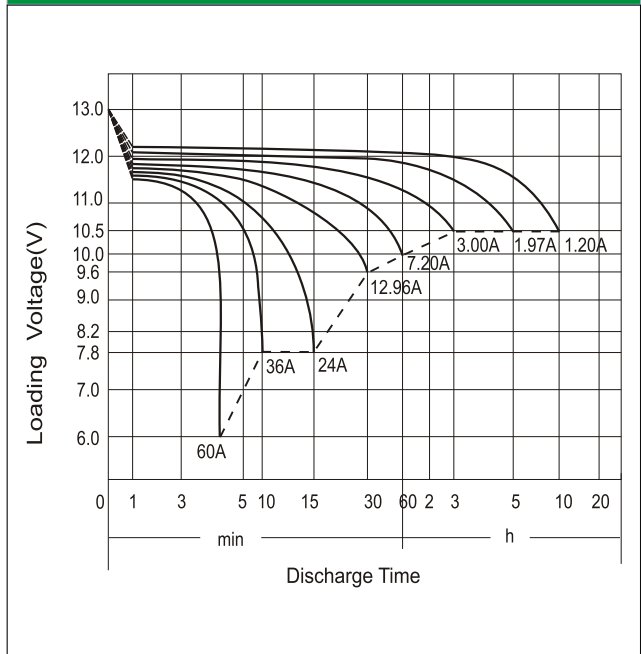


## Physical Specification

Nominal Voltage		12V
Nominal Capacity (10HR)		12Ah
Dimension	Length	150 ± 2mm (5.91 inches)
	Width	87 ± 2mm (3.43 inches)
	Container Height	145 ± 2mm (5.71 inches)
	Total Height (with Terminal)	145 ± 2mm (5.71 inches)
Weight	Battery(with acid): Approx 4.55kg (10.03lbs) Electrolyte: Approx 0.89kg (1.96lbs)	

- \* Sealed and non-spillable AGM battery
- \* Maintenance-free
- \* Powerful 210 cold cranking amps
- \* Shipped pre-charged and ready to install

## Discharge Characteristics (25°C, 77°F)



## Electrical Specification

Rated Capacity	10 hour rate (1.20 A)	12.00Ah
	5 hour rate ( 1.97 A)	9.84Ah
	2 hour rate (4.20 A)	8.40Ah
	1 hour rate (7.20 A)	7.20Ah
	0.5 hour rate (12.96 A)	6.48Ah
Capacity affected by Temperature	40 °C (104 °F)	106%
	25 °C (77 °F)	100%
	0 °C (32 °F)	86%
	-15 °C (5 °F)	65%
Charging Methods	Full Charge	Constant-Voltage Charge: Initial charging current: less than 3.6A Voltage: 14.40 V ~ 15.00 V at 25 °C (77 °F) Charging time: 15 ~18h Constant-Current Charge: Charging current: 0.1C <sub>10</sub> =1.20A, when charging voltage up to 14.40V, continue to charge 4h
	Floating Charge	No limit on Initial charging current Voltage: 13.50 V ~ 13.80 V at 25 °C (77 °F)