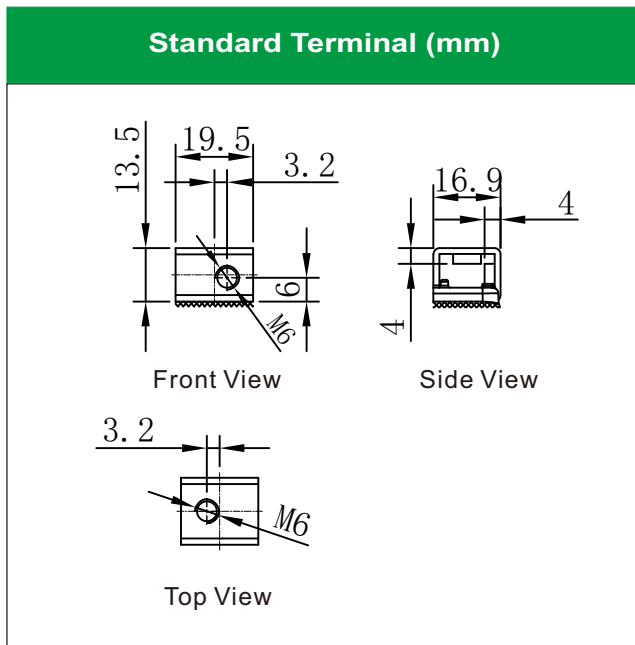
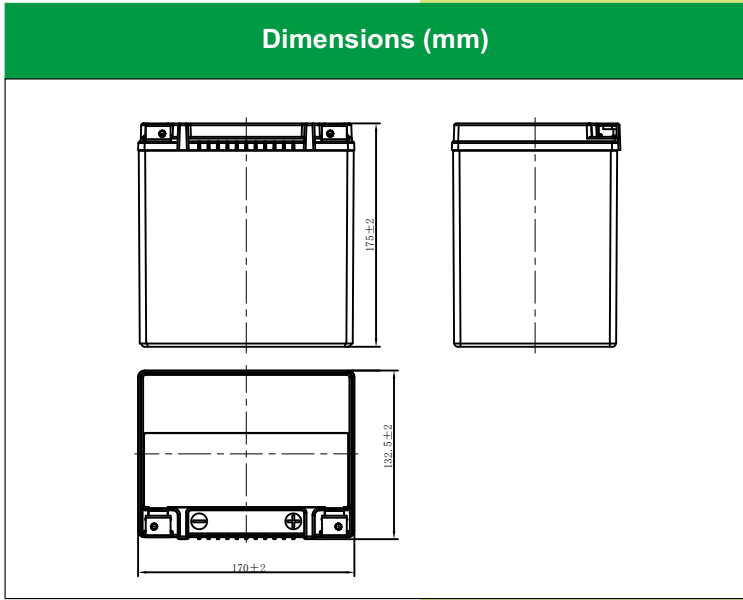




LEOCH BATTERY

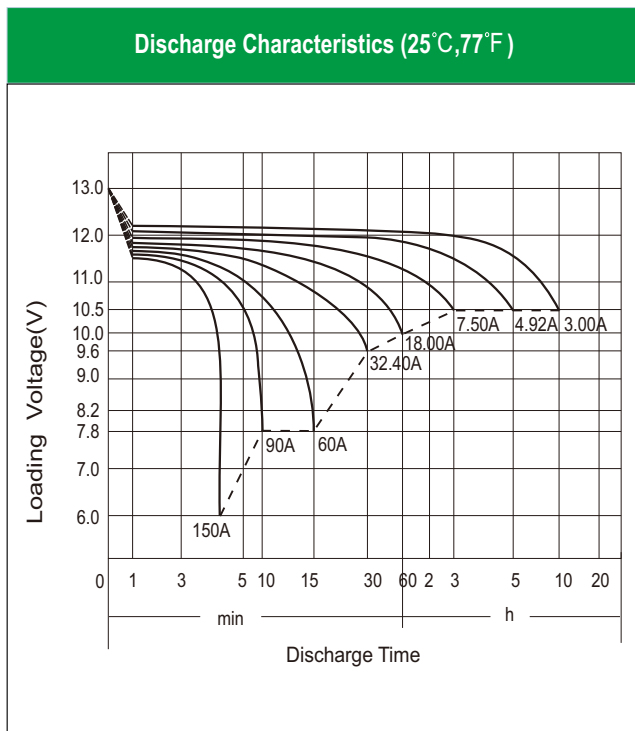
MX30-3-3 [12V30Ah]



Physical Specification

Nominal Voltage		12V
Nominal Capacity (10HR)		30Ah
Dimension	Length	170±2mm (6.69 inches)
	Width	132.5±2mm (5.22 inches)
	Container Height	175±2mm (6.89 inches)
	Total Height (with Terminal)	175±2mm (6.89 inches)
Weight	Battery(with acid): Approx 9.90kg (21.83lbs)	
	Electrolyte: Approx 2.0kg (4.41lbs)	

- * Sealed and non-spillable AGM battery
- * Maintenance-free
- * Powerful 450 cold cranking amps (-18°C, SAE Standard)
- * Shipped pre-charged and ready to install



Electrical Specification

Rated Capacity	10 hour rate (3.00 A)	30.00Ah
	5 hour rate (4.92 A)	24.60Ah
	2 hour rate (10.5 A)	21.00Ah
	1 hour rate (18.0 A)	18.00Ah
	0.5 hour rate (32.4 A)	16.20Ah
Capacity affected by Temperature	40 °C (104 °F)	106%
	25 °C (77 °F)	100%
	0 °C (32 °F)	86%
	-15 °C (5 °F)	65%
Charging Methods	Full Charge	Constant-Voltage Charge: Initial charging current: less than 9.0A Voltage: 14.40 V ~ 15.00 V at 25 °C (77 °F) Charging time: 15 ~18h Constant-Current Charge: Charging current: 0.1C ₁₀ =3.00A, when charging voltage up to 14.40V, continue to charge 4h
	Floating Charge	No limit on Initial charging current Voltage: 13.50 V ~ 13.80 V at 25 °C (77 °F)

*Values are subject to variation of +/- 5% in normal manufacturing processes.
 *Technical specifications and the product line above could be changed without prior notice.