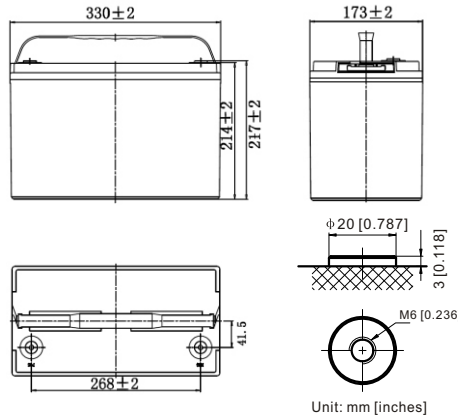




UPS ULTRA HIGH RATE

XP12-400(12V110AH)



Application

- ◆ UPS (High rate)
- ◆ High power backup supply
- ◆ Emergency power supply
- ◆ Emergency lighting
- ◆ Electric starting

Specification

Battery Type	Valve-Regulated, Absorbed Glass Mat (AGM) Technology	Self Discharge	3% of capacity declined per month at 20°C
Capacity	430.4Watts/cell 15min rate(1.67V/cell)	Current	Max. Discharge Current(5s) 1650A
	110AH 20HR(1.80V/cell)		Initial Charging Current Less than 33A
Dimensions	Length 330mm(13.0inches)	Operating Temp. Range	Discharge -15~50 °C(5~122 °F)
	Width 173mm(6.8inches)		Charging 0~40 °C(32~104 °F)
	Height 214mm(8.4inches)		Storage -15~40 °C(5~104 °F)
	Total height 217mm(8.54inches)	Internal Resistance	Full Charged at 25 °C : Approx 3.6mΩ
Approx Weight	Approx 31.2 kg(68.8lbs)	Container Material	ABS
		Terminal	T8

Constant Power Discharge (Watts/Cell) at 25 °C (77°F)

F.V/Time	5min	10min	15min	20min	30min	45min	1h	2h	3h	4h	5h	6h	8h	10h	20h
1.85V/cell	421.2	358.6	313.4	269.7	208.6	153.4	123.4	71.9	53.3	42.9	36.1	31.4	25.2	21.2	11.1
1.80V/cell	508.2	407.2	344.5	292.7	221.4	164.2	130.4	75.5	55.4	44.4	37.4	32.3	25.8	21.5	11.3
1.75V/cell	565.9	441.9	373.7	313.9	233.7	170.6	136.0	78.5	57.2	45.3	37.8	32.8	26.2	21.8	11.5
1.70V/cell	631.6	482.1	400.4	334.0	247.6	178.7	142.0	81.1	58.7	46.2	38.4	33.3	26.6	22.1	11.6
1.67V/cell	678.3	518.2	430.4	356.5	260.1	186.8	148.0	83.2	60.0	47.2	39.2	33.8	26.9	22.3	11.8
1.60V/cell	721.9	556.4	456.5	374.9	271.3	192.4	151.4	85.1	61.1	48.2	40.0	34.5	27.3	22.5	12.0

Constant Current Discharge (Amperes) at 25 °C (77°F)

F.V/Time	5min	10min	15min	20min	30min	45min	1h	2h	3h	4h	5h	6h	8h	10h	20h
1.85V/cell	216.5	183.3	159.3	136.4	104.9	76.9	61.6	35.8	26.4	21.2	17.8	15.4	12.3	10.3	5.38
1.80V/cell	264.0	210.3	176.9	149.5	112.4	82.9	65.6	37.7	27.6	22.0	18.5	15.9	12.6	10.5	5.50
1.75V/cell	297.0	230.3	193.6	161.7	119.7	86.8	68.9	39.5	28.7	22.6	18.8	16.3	12.9	10.7	5.63
1.70V/cell	335.3	254.1	209.9	173.9	128.0	91.8	72.5	41.1	29.6	23.2	19.3	16.6	13.2	10.9	5.72
1.67V/cell	363.0	275.2	227.0	186.8	135.3	96.5	75.9	42.4	30.4	23.8	19.8	17.0	13.5	11.1	5.82
1.60V/cell	390.7	298.7	243.3	198.3	142.6	100.3	78.4	43.8	31.2	24.6	20.3	17.5	13.8	11.3	5.98