

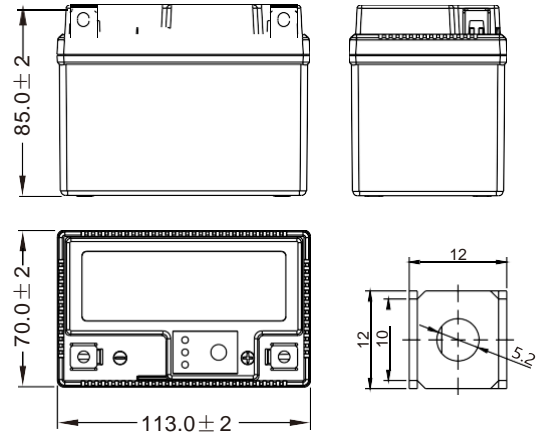
Starter batteries for motorcycles

LFPS-X4L [12.8V1.6Ah]

Physical Specification

Nominal Voltage		12.8V
Nominal Capacity (10Hr)		1.6 Ah
Dimension	Length	113±2mm (4.45 inches)
	Width	70±2mm (2.76 inches)
	Container Height	85±2mm (3.35 inches) Total
	Height (with Terminal)	85±2mm (3.35 inches)
Weight	Approx 0.36kg (0.79lbs)	

- * Motorcycle Li-ion battery
- * Maintenance-free
- * Real-time protection (overcharge, over-discharge, over-temperature) and energy balance of battery system through BMS
- * Powerful 50 cold cranking amps
- * Shipped pre-charged and ready to install
- * Replaces YTZ5S/YTX4L-BS/YTX5L-BS battery



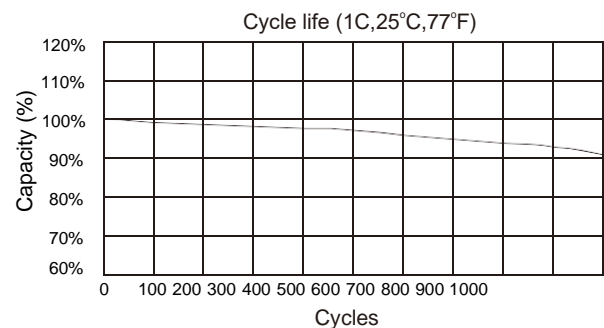
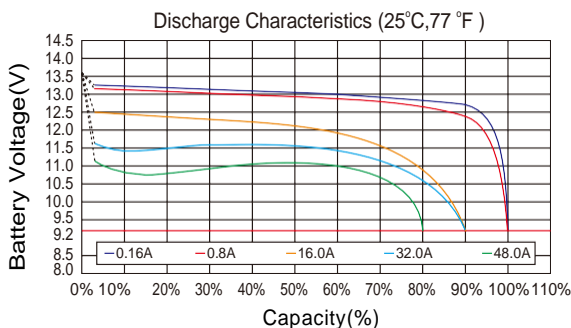
Dimensions (mm)

Electrical Specification

Rated Capacity	0.1C rate (0.16A)	1.60Ah
	0.5C rate (0.80A)	1.60Ah
	10C rate (16.00A)	1.44Ah
	30C rate (48.00A)	5S
Capacity affected by Temperature	40 °C (104 °F)	98%
	25 °C (77 °F)	100%
	0 °C (32 °F)	85%
	-20 °C (-4 °F)	60%
Self Discharge	Approximately 1.5% per month (25°C (77°F))	
Charging Methods	Constant-Voltage Charge: Full Charge Initial charging current: less than 0.8A Voltage: 14.40 V ~ 14.60 V at 25 °C (77 °F)	



Curve Specification



Publication No :LB-LFPS-X4L-PD-EN-V2.0-202208

